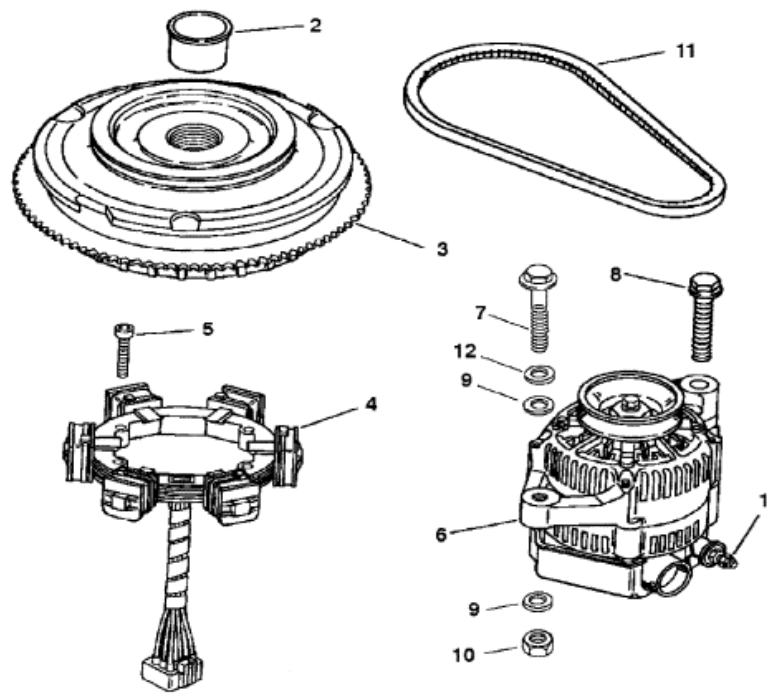


**Note:** Coat all ring terminal wiring connections with Liquid Neoprene.



19110

Parts List

Ref	Class	Part	Description	Qty	Comment	Footnote
1	11	826833	6 NUT, (M6)	1		
2	19	45907	PLUG, Yellow	1		
3	272	821033T	2 FLYWHEEL	1		
4	398	821935A	5 STATOR	1		
5	10	824948	30 SCREW, (M6 x 30)	4		
6		821663A	1 ALTERNATOR	1		
7	10	824461	55 SCREW, (M10 x 55)	1		
8	10	821301	40 SCREW (M10 X 40)	1		
9	12	79643	1 WASHER	2		
10	11	40136	10 NUT, (M10)	1		
11	57	49756	1 V BELT	1		
12	12	17457	1 WASHER	1		